

Lightology

lightology.com
866-954-4489
07-07-26

Project: _____

Company: _____

Location: _____ Fixture Type: _____

SPEC #: **VCG1243242**

Approved On: _____ Approved By: _____

Verona Mirrored Wall Sconce By Visual Comfort Signature

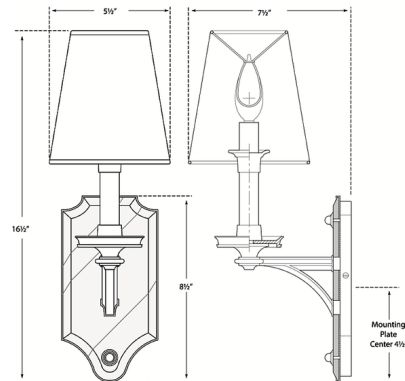


Description

The Verona Mirrored Sconce combines a simple arm and shade with an ornamental backplate. A curved outline, beveled edges and antique mirror treatment give the backplate charming vintage character that enhances your space. With its unique design, the Verona works with many design styles ranging from traditional to modern.



Shown in hand-rubbed antique brass / linen



Specifications

COLOR	Linon
BODY FINISH	Hand-Rubbed Antique Brass
WATTAGE	40W
DIMMER	Standard 120V
DIMENSIONS	5.5"W x 16.5"H x 7.5"D
BULB NOT INCLUDED	1 x B11/Candelabra (E12)/40W/120V Incandescent
OTHER BULB OPTIONS	1 x B11/Candelabra (E12)/120V LED



CLICK TO VIEW PRODUCT

Notes: