

Lightology

lightology.com
866-954-4489
06-29-26

Project: _____

Company: _____

Location: _____ Fixture Type: _____

SPEC #: **VCG1243707**

Approved On: _____ Approved By: _____

Studio Floor Lamp

By Visual Comfort Signature

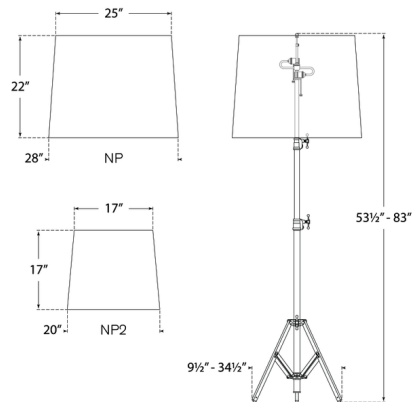


Description

This Studio Floor Lamp is the surprising fusion of a studio light with a classic living room floor lamp. The tapered shade emits a warm diffused glow, while the adjustable tripod base and stem, featuring prominent turn knobs, capture the essence of a studio setup. Use this lamp to add a dash of style and comfortable ambient lighting to your space.



Shown in bronze / linen



Specifications

COLOR Linen
BODY FINISH Bronze
WATTAGE 150W
DIMMER N/A
DIMENSIONS 28"W x 53.5"H
BULB NOT INCLUDED 2 x A19/Medium (E26)/75W/120V Incandescent
OTHER BULB OPTIONS 2 x A19/Medium (E26)/120V LED



CLICK TO VIEW PRODUCT

Notes: