

Lightology

lightology.com
866-954-4489
06-20-26

Project: _____

Company: _____

Location: _____ Fixture Type: _____

SPEC #: **VCG1244095**

Approved On: _____ Approved By: _____

Antigua Wall Sconce By Visual Comfort Signature

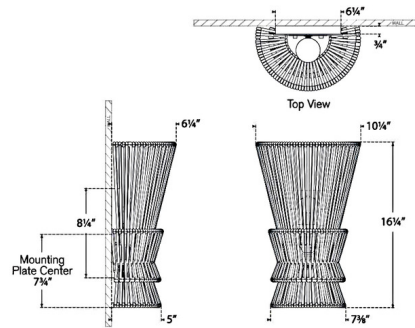


Description

The Antigua Wall Sconce introduces the enduring elegance of nature into your living area. Crafted from hand-woven natural abaca, it envelops a trapezoidal frame, permitting light to filter through and create inviting shadows throughout your space.



Shown in antique-burnished brass / natural abaca



Specifications

COLOR Natural Abaca
 BODY FINISH Antique-Burnished Brass
 WATTAGE 15W
 DIMMER Standard 120V
 DIMENSIONS 10.25"W x 16.25"H x 6.25"D
 BULB NOT INCLUDED 1 x A19/Medium (E26)/15W/120V LED



CLICK TO VIEW PRODUCT

Notes: