

Lightology

lightology.com
866-954-4489
07-02-26

Project: _____
 Company: _____
 Location: _____ Fixture Type: _____
 SPEC #: **CDI1245630**
 Approved On: _____ Approved By: _____

Mikado Double Pendant By Contardi



Description

The Mikado Double Pendant showcases the timeless pairing of brass and crystal with a contemporary twist. The pendant is composed of intersecting metal bars accented with crystal diffusers engraved in two different patterns. Integrated LEDs within the crystal produce an elegant sparkle as light passes through. Mikado's seemingly random but overall balanced composition gives it a striking look that will stand out in any space. Available in three fixed overall heights. Note: Requires additional ceiling support for fixtures weighing over 50 lbs.

Specifications

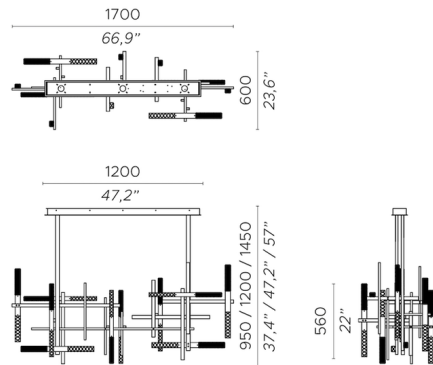
COLOR	Crystal
BODY FINISH	Satin Gold
WATTAGE	80W
DIMMER	Standard 120V
DIMENSIONS	66.92"L x 23.6"W x 37.4"H
INTEGRATED LED MODULE	20 x LED/4W/120V LED
COUNTRY OF ORIGIN	United States

Technical Information

PRODUCT DIMENSIONS	Canopy: 47.2"L x 4.8"W
COLOR RENDERING	90 CRI
LAMP COLOR	3000K
LUMENS/WATT	2,800.00
LUMINOUS FLUX	11200 lumens



Shown in satin gold / crystal



CLICK TO VIEW PRODUCT

Notes: