

Lightology

lightology.com
866-954-4489
04-25-26

Project: _____

Company: _____

Location: _____ Fixture Type: _____

SPEC #: **CDI1245660**

Approved On: _____ Approved By: _____

Tonda Wall Light By Contardi

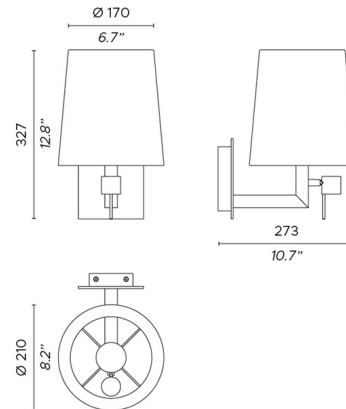


Description

The Tonda Wall Light features a stylish transitional design that will complement a wide variety of decor styles. The tapered fabric shade provides diffused illumination with a neat and clean-lined aesthetic. It is accented by an angled arm and rectangular backplate to complete the look. Includes an adjustable LED spotlight to provide additional downlighting.



Shown in satin bronze / white cotton



Specifications

COLOR White Cotton
BODY FINISH Satin Bronze
WATTAGE 10W
DIMMER Standard 120V
DIMENSIONS 8.2"W x 14.6"H x 10.7"D
BULB NOT INCLUDED 1 x A19/Medium (E26)/10W/120V LED
OTHER BULB OPTIONS 1 x LED/3W/120V LED
COUNTRY OF ORIGIN United States

Technical Information

COLOR RENDERING 90 CRI
LAMP COLOR 2700K



CLICK TO VIEW PRODUCT

Notes: