

# Lightology

lightology.com  
866-954-4489  
05-24-26

Project: \_\_\_\_\_

Company: \_\_\_\_\_

Location: \_\_\_\_\_ Fixture Type: \_\_\_\_\_

SPEC #: **VAR1250713**

Approved On: \_\_\_\_\_ Approved By: \_\_\_\_\_

## Federal Case Mirror

By Varaluz

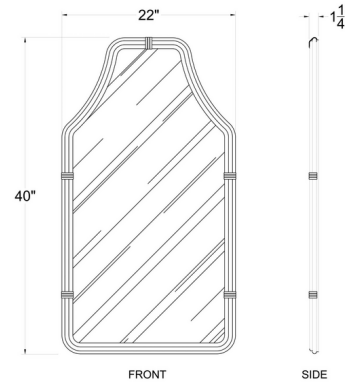


### Description

The Federal Case Mirror features not exactly neoclassical, but rooted in federalist dcor, our Federal collection adds some gravitas to a powder room... or any room, really. Ideally sized for a bath, its tall and narrow proportions reflect greatness any time you are in front of it.



Shown in matte black / gold / mirror



### Specifications

COLOR	Mirror
BODY FINISH	Matte Black / Gold
WATTAGE	N/A
DIMMER	N/A
DIMENSIONS	22"W x 40"H x 1.25"D
BULB	N/A
COUNTRY OF ORIGIN	Philippines



CLICK TO VIEW PRODUCT

Notes: