

Lightology

lightology.com
866-954-4489
07-06-26

Project: _____
 Company: _____
 Location: _____ Fixture Type: _____
 SPEC #: **ACC1251754**
 Approved On: _____ Approved By: _____

Port Nine Stark Pendant By Access



Description

For a refined accent to any room, choose the Port Nine Stark Pendant. Designed with an integrated LED downlight and knurled metal housing, it embodies a sleek industrial feel that blends seamlessly into your dining room, kitchen, or living room. This modern hanging light emits light through a frosted glass diffuser, providing ambient and task lighting. Suitable for commercial or residential use. Recommended dimmers: Lutron Skylark Contour CTCL-153P, Lutron Caseta PD - 6WCL, Lutron Maestro CL MACL-153M, Lutron Maestro CL (Package) MACL-153M-RHW, Lutron Diva DVCL-153P, Lutron Ariadni/Toggler TGCL-153P, Leviton Decora Sureslide 6674, Leviton Decora Sureslide 6672.

Specifications

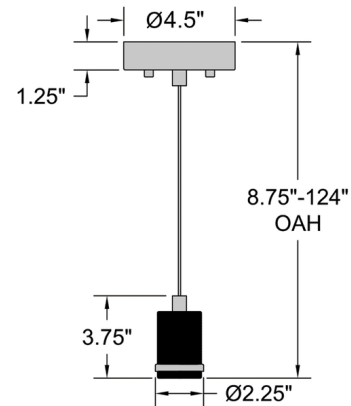
COLOR	Frosted
BODY FINISH	Antique Brushed Brass
WATTAGE	9W
DIMMER	Low Voltage Electronic
DIMENSIONS	2.25"W x 3.75"H
INTEGRATED LED MODULE	1 x LED/9W/120V LED
COUNTRY OF ORIGIN	China

Technical Information

LAMP LIFE	50000 hours
COLOR RENDERING	90 CRI
LAMP COLOR	3000K
LUMENS/WATT	56.22
LUMINOUS FLUX	506 lumens



Shown in antique brushed brass / frosted



CLICK TO VIEW PRODUCT

Notes: