

Lightology

lightology.com
866-954-4489
07-06-26

Project: _____

Company: _____

Location: _____ Fixture Type: _____

SPEC #: **CER1252503**

Approved On: _____ Approved By: _____

Veram Pendant

By Cerno



Description

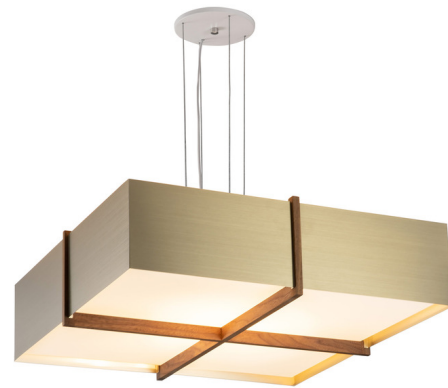
The Veram Pendant is highly versatile, able to complement many different environments with its simple yet distinctive grid design composed of a square shade and wooden accent beams. The canopy at the top is finished in a discreet Textured White. This pendant offers a clean polished aesthetic and casts a bright diffused light, suitable for a range of commercial and residential applications. 120V: TRIAC, ELV, and 0-10V dimmable. 240 and 277V: 0-10V dimmable. Note: The 24 inch pendant with 4000K is only available with a Dark Walnut Stained finish.

Specifications

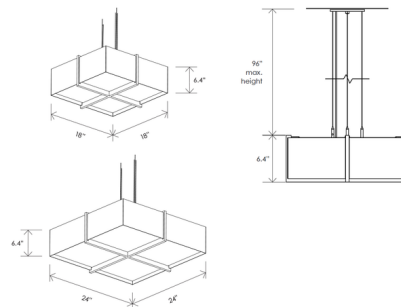
COLOR Brushed Brass
 BODY FINISH Walnut
 WATTAGE 19.5W
 DIMMER Low Voltage Electronic
 DIMENSIONS 24"W x 6.4"H x 24"D
 INTEGRATED LED MODULE 1 x LED/19.5W/120-277V LED
 COUNTRY OF ORIGIN United States

Technical Information

COLOR RENDERING 90 CRI
 LAMP COLOR 3000K
 LUMENS/WATT 86.67
 LUMINOUS FLUX 1690 lumens



Shown in walnut / brushed brass



CLICK TO VIEW PRODUCT

Notes: