

# Lightology

lightology.com  
866-954-4489  
04-09-26

Project: \_\_\_\_\_  
 Company: \_\_\_\_\_  
 Location: \_\_\_\_\_ Fixture Type: \_\_\_\_\_  
 SPEC #: **ELE12538**  
 Approved On: \_\_\_\_\_ Approved By: \_\_\_\_\_

## Monorail Rigid Standoff

By Visual Comfort Architectural

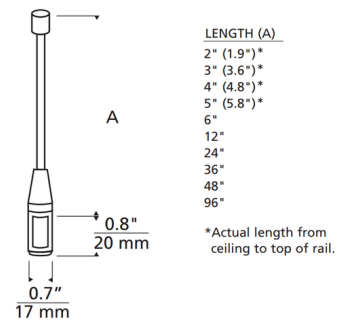


### Description

The Monorail Rigid Standoff is designed for use with the Tech Lighting Monorail system. Rigid standoffs are compatible with various power feed options, listed in the chart pictured. Use standoffs at every 3 ft of Monorail run and at corners. They can be positioned to cover points where rails are joined. For the best look, place the last standoff 4-6 inches from the end of the rail and place standoffs symmetrically. Note: The Aged Brass finish is only available for the 3 inch standoff.



Shown in satin nickel



### Specifications

COLOR	N/A
BODY FINISH	Satin Nickel
WATTAGE	N/A
DIMMER	N/A
DIMENSIONS	0.7"W x 2"H
BULB	N/A



CLICK TO VIEW PRODUCT

Notes: