

# Lightology

lightology.com  
866-954-4489  
06-04-26

Project: \_\_\_\_\_

Company: \_\_\_\_\_

Location: \_\_\_\_\_ Fixture Type: \_\_\_\_\_

SPEC #: **VND1256646**

Approved On: \_\_\_\_\_ Approved By: \_\_\_\_\_

## Manta Cantilever Armchair - Set of 2

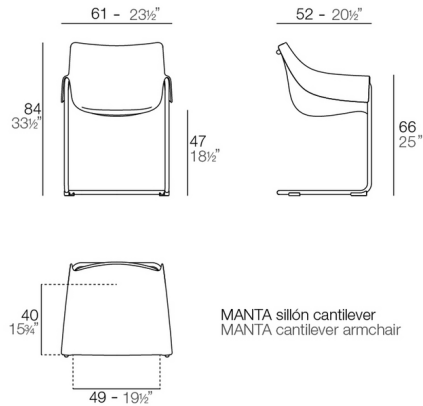
By Vondom

### Description

The Manta Cantilever Armchair is a versatile piece suitable for both indoor and outdoor environments from private residences to offices to outdoor public spaces. The sling-shaped seat is crafted from rigid and durable polypropylene and fiber glass and supported by a sleek aluminum cantilever base. Includes a set of 2 chairs.



Shown in black / black



### Specifications

COLOR	Black
BODY FINISH	Black
WATTAGE	N/A
DIMMER	N/A
DIMENSIONS	23.5"W x 33.5"H x 20.5"D
BULB	N/A
COUNTRY OF ORIGIN	Spain



CLICK TO VIEW PRODUCT

Notes: