

Lightology

lightology.com
866-954-4489
05-29-26

Project: _____

Company: _____

Location: _____ Fixture Type: _____

SPEC #: **ZLT1257233**

Approved On: _____ Approved By: _____

Alverton Wall Sconce

By Z-Lite

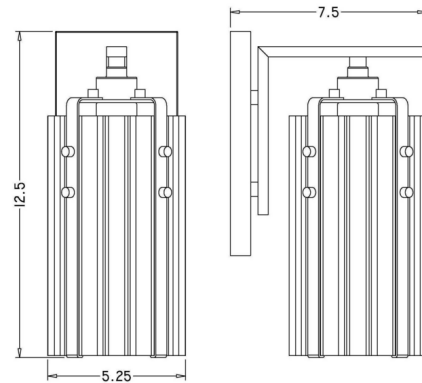


Description

Illuminate a bathroom vanity space with this beautiful, transitional Alverton wall sconce that lends an Arts and Crafts-inspired industrial flair. A bold and elegant steel mount and arm suspends a clear glass cylindrical globe that offers a hand blown-like artisan feel with subtle rippled effects.



Shown in matte black / clear



Specifications

COLOR	Clear
BODY FINISH	Matte Black
WATTAGE	17W
DIMMER	Standard 120V
DIMENSIONS	5.25"W x 12.5"H x 7.5"D
BULB NOT INCLUDED	1 x A19/Medium (E26)/17W/120V LED
OTHER BULB OPTIONS	1 x Edison ST-Shape/Medium (E26)/120V LED
COUNTRY OF ORIGIN	China



CLICK TO VIEW PRODUCT

Notes: