

# Lightology

lightology.com  
866-954-4489  
04-04-26

Project: \_\_\_\_\_

Company: \_\_\_\_\_

Location: \_\_\_\_\_ Fixture Type: \_\_\_\_\_

SPEC #: **ING1263406**

Approved On: \_\_\_\_\_ Approved By: \_\_\_\_\_

## Zettelz Pendant

By Ingo Maurer



### Description

Originally conceived in the late 1990s, the Zettelz Pendant is one of Ingo Maurer's most famous designs. The pendant consists of a metal frame with thin, branching arms protruding in all directions. Each arm holds a piece of paper attached by a binder clip to act as the lampshade. The small pendant includes 40 pieces of blank paper, and the large pendant includes 31 printed pages and 49 blank sheets on which the user can write their own messages or drawings. The arms can also be adjusted for a looser, wider look or tighter, narrow look to suit the individual user's preference. This interactivity and room for creativity is a hallmark characteristic of many Ingo Maurer designs. The small lamp includes one bulb socket, while the larger lamp includes an extra socket to provide downward directed lighting.

### Specifications

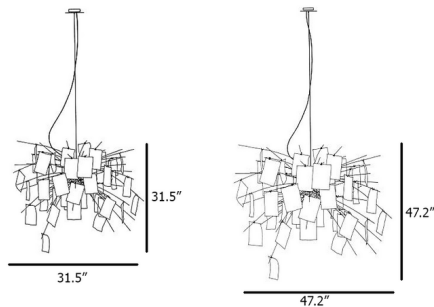
COLOR . . . . . White  
BODY FINISH . . . . . Silver  
WATTAGE . . . . . 32W  
DIMMER . . . . . Low Voltage Electronic  
DIMENSIONS . . . . . 31.496"W x 31.496"H  
BULB NOT INCLUDED . . . . . 1 x A19/Medium (E26)/32W/120V LED  
COUNTRY OF ORIGIN . . . . . Germany

### Technical Information

PRODUCT DIMENSIONS . . . . . Canopy: 4.3" diameter



Shown in silver / white



Notes:



CLICK TO VIEW PRODUCT