

Lightology

lightology.com
866-954-4489
04-11-26

Project: _____
 Company: _____
 Location: _____ Fixture Type: _____
 SPEC #: **LEU1264675**
 Approved On: _____ Approved By: _____

Aurelia S45 Pendant

By Leucos



Description

The Aurelia S45 Pendant features a handblown glass diffuser surrounding a metal structure that houses both direct and indirect LED light sources. Independently dimmable, the two light sources offer the possibility of single or simultaneous switching, creating direct soft light and surprising and unexpected indirect reflections. Includes canopy in matching finish and driver which fits inside junction box. 2700K color temperature includes an 11.6 watt downlight (1471 lumens) and 14.4 watt uplight (2360 lumens). 3000K color temperature includes an 11.6 watt downlight (1531 lumens) and 14.4 watt uplight (2450 lumens).

Specifications

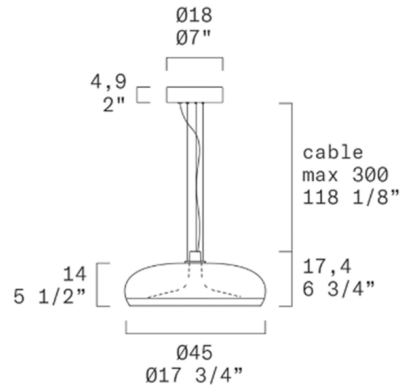
COLOR	Transparent Pulegoso
BODY FINISH	Matte Gunmetal
WATTAGE	26W
DIMMER	0-10V
DIMENSIONS	17.75"W x 6.75"H
INTEGRATED LED MODULE	1 x LED/11.6W/120V LED
INTEGRATED LED MODULE	1 x LED/14.4W/120V LED
COUNTRY OF ORIGIN	Italy

Technical Information

COLOR RENDERING	90 CRI
LAMP COLOR	2700K
LUMENS/WATT	330.26
LUMINOUS FLUX	3831 lumens



Shown in matte gunmetal / transparent pulegoso



CLICK TO VIEW PRODUCT

Notes: