

Lightology

lightology.com
866-954-4489
07-08-26

Project: _____

Company: _____

Location: _____ Fixture Type: _____

SPEC #: **MKL1265116**

Approved On: _____ Approved By: _____

Watermill Drum Pendant By Minka Lavery

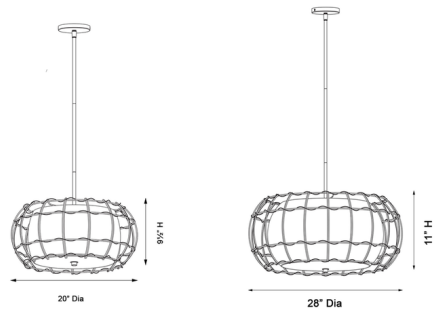


Description

The Watermill Pendant features a natural wicker shade, rope accents and etched opal glass shade. Adjustable downrods included.



Shown in natural / etched opal



Specifications

COLOR Etched Opal
BODY FINISH Natural
WATTAGE 33W
DIMMER Standard 120V
DIMENSIONS 20"W x 9.5"H
BULB NOT INCLUDED 3 x A19/Medium (E26)/11W/120V LED
COUNTRY OF ORIGIN China



CLICK TO VIEW PRODUCT

Notes: