

Lightology

lightology.com
866-954-4489
04-22-26

Project: _____

Company: _____

Location: _____ Fixture Type: _____

SPEC #: **STM1266807**

Approved On: _____ Approved By: _____

Megalith Glass Multi Light Linear Pendant By Studio M



Description

The Megalith Glass Multi Light Linear Pendant brings a strong, decorative presence to your interior space. The smooth rounded transparent glass panels hang from iron stems, hugging glass globes that bounces a warm glow of light across your room. Luxe Red Awards - Reader's Choice award winner.

Specifications

COLOR Amber
BODY FINISH Brushed Bronze
WATTAGE 20W
DIMMER Standard 120V
DIMENSIONS 48"L x 13.75"W x 29.25"H
BULB INCLUDED 5 x JCD/G9/4W/120V LED

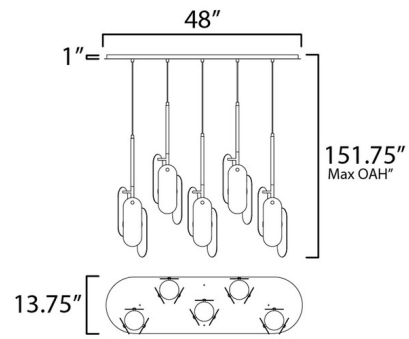
Technical Information

PRODUCT DIMENSIONS Adjustable Cable Lengths: 120"
LAMP LIFE 25000 hours
COLOR RENDERING 90 CRI
LAMP COLOR 3000K
LUMENS/WATT 437.50
LUMINOUS FLUX 1750 lumens

Notes:



Shown in brushed bronze / amber



CLICK TO VIEW PRODUCT