

# Lightology

lightology.com  
866-954-4489  
04-28-26

Project: \_\_\_\_\_

Company: \_\_\_\_\_

Location: \_\_\_\_\_ Fixture Type: \_\_\_\_\_

SPEC #: **AHM1267909**

Approved On: \_\_\_\_\_ Approved By: \_\_\_\_\_

## Blazi Table Lamp By Arteriors Home

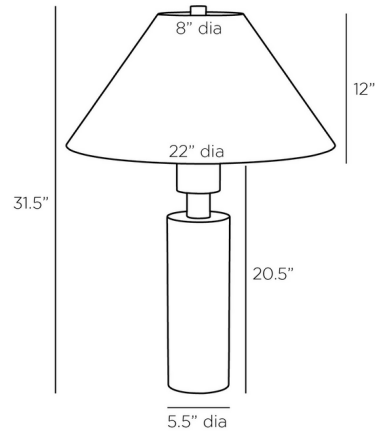


### Description

The Blazi Table Lamp features a towering cylindrical base in a hot rolled steel finish for an industrial-inspired look. The lamp is capped with a tapered fabric shade to contrast the base's weighty appearance with a light accent. Three-way rotary switch located on socket.



Shown in hot rolled steel / off white



### Specifications

COLOR . . . . . Off White  
BODY FINISH . . . . . Hot Rolled Steel  
WATTAGE . . . . . 27W  
DIMMER . . . . . Included  
DIMENSIONS . . . . . 22"W x 31.5"H  
BULB NOT INCLUDED . . . . . 1 x A19 3-Way/Medium (E26)/27W/120V LED



CLICK TO VIEW PRODUCT

Notes: