

# Lightology

lightology.com  
866-954-4489  
05-24-26

Project: \_\_\_\_\_

Company: \_\_\_\_\_

Location: \_\_\_\_\_ Fixture Type: \_\_\_\_\_

SPEC #: **AHM1267923**

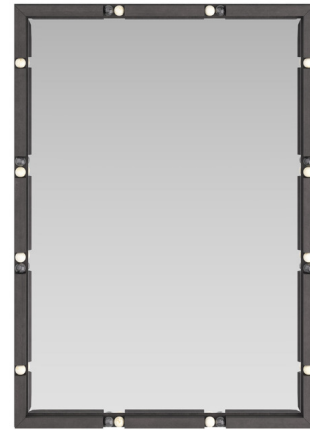
Approved On: \_\_\_\_\_ Approved By: \_\_\_\_\_

## Brinkley Mirror By Arteriors Home

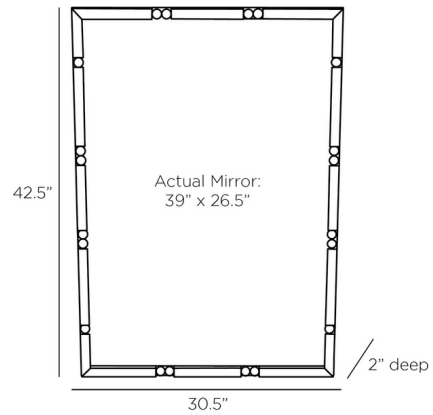


### Description

The Brinkley Mirror possesses an ebony-finished mango wood frame punctuated with black and white spherical marble accents. The marble accents add a playful geometric touch that elevates Brinkley's simple silhouette. May be mounted vertically or horizontally.



Shown in ebony / mirror



### Specifications

COLOR	Mirror
BODY FINISH	Ebony
WATTAGE	N/A
DIMMER	N/A
DIMENSIONS	30.5"W x 42.5"H x 2"D
BULB	N/A



CLICK TO VIEW PRODUCT

Notes: