

Lightology

lightology.com
866-954-4489
04-25-26

Project: _____

Company: _____

Location: _____ Fixture Type: _____

SPEC #: **ET21268250**

Approved On: _____ Approved By: _____

Phoenix Chandelier

By Et2



Description

Both modern and industrial, the angular lines of the aluminum spun shade refresh a classic concept in a clean, contemporary execution with the Phoenix Chandelier. The shade in a powder coated finish, features multiple joints and peaks in their form and at their bottom intentionally return inward. The shape at the bottom is not only attractive, but a cleverly conceived method to support a wire network of Black steel that forms a cage without visible hardware. Illuminated from within the spun metal shade, the LED lamp provided shines light below and disperses through the wireway creating a beautiful radiating light pattern.

Specifications

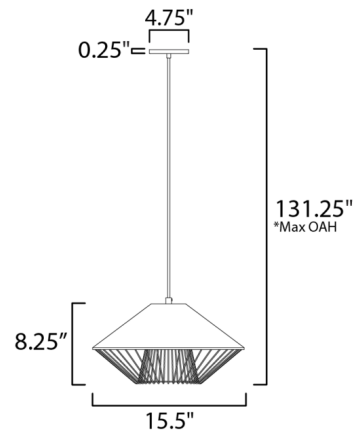
COLOR Grey / Black
BODY FINISH Black
WATTAGE 9W
DIMMER Standard 120V
DIMENSIONS 15.5"W x 8.25"H
BULB INCLUDED 1 x A19/Medium (E26)/9W/120V LED

Technical Information

LAMP LIFE 25000 hours
COLOR RENDERING 90 CRI
LAMP COLOR 3000K
LUMENS/WATT 72.22
LUMINOUS FLUX 650 lumens



Shown in black / grey / black



CLICK TO VIEW PRODUCT

Notes: