

Lightology

lightology.com
866-954-4489
07-06-26

Project: _____
 Company: _____
 Location: _____ Fixture Type: _____
 SPEC #: **HMR1268774**
 Approved On: _____ Approved By: _____

Vessel Linear Multi Light Pendant By Hammerton Studio



Description

The Vessel Linear Multi Light Pendant brings a clean fusion of a geometric form and organic design to your interior space. Three sizes of decorative glass diffusers cast a captivating play of light shadows across your room. Note: Due to the weight of this fixture, additional ceiling support is required.

Specifications

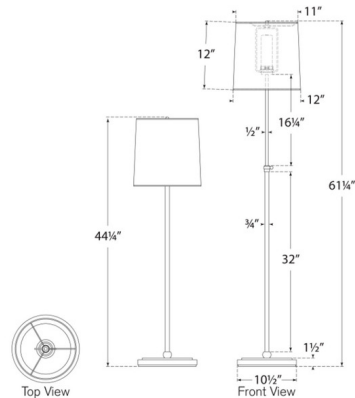
COLOR	Vessel Smoke
BODY FINISH	Matte Black
WATTAGE	37W
DIMMER	Low Voltage Electronic
DIMENSIONS	46.1"L x 12.6"W x 16.7"H
INTEGRATED LED MODULE	7 x LED/5.28W/120V LED

Technical Information

PRODUCT DIMENSIONS	Max Adjustable Overall Height: 20.5" - 120"
COLOR RENDERING	93 CRI
LAMP COLOR	3000K
LUMENS/WATT	557.20
LUMINOUS FLUX	2942 lumens



Shown in matte black / vessel smoke



CLICK TO VIEW PRODUCT

Notes: