

Lightology

lightology.com
866-954-4489
04-25-26

Project: _____

Company: _____

Location: _____ Fixture Type: _____

SPEC #: **HMR1268836**

Approved On: _____ Approved By: _____

Vessel Linear Chandelier

By Hammerton Studio

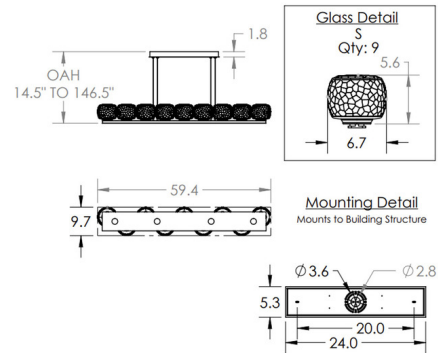


Description

The Vessel Linear Chandelier brings a clean fusion of a geometric form and organic design to your interior space. The smooth frame holds decorative glass diffusers and casts a captivating play of light shadows across your room. Note: Due to the weight of this fixture, additional ceiling support is required.



Shown in matte black / vessel bronze



Specifications

COLOR Vessel Bronze
 BODY FINISH Matte Black
 WATTAGE 37.1W
 DIMMER Low Voltage Electronic
 DIMENSIONS 59.4"L x 9.7"W x 5.6"H
 INTEGRATED LED MODULE 13 x LED/2.85W/120V LED

Technical Information

PRODUCT DIMENSIONS Max Adjustable Overall Height: 14.5" - 146.5"
 COLOR RENDERING 93 CRI
 LAMP COLOR 3000K
 LUMENS/WATT 1,096.84
 LUMINOUS FLUX 3126 lumens



CLICK TO VIEW PRODUCT

Notes: