

Lightology

lightology.com
866-954-4489
04-09-26

Project: _____

Company: _____

Location: _____ Fixture Type: _____

SPEC #: **CRC1273705**

Approved On: _____ Approved By: _____

Tairagai Chandelier By Currey & Company

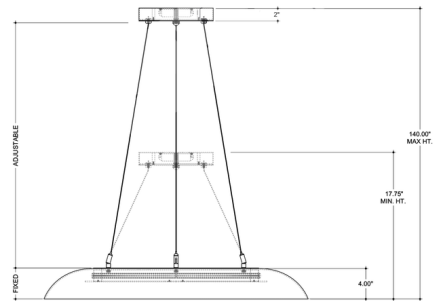


Description

The Tairagai Chandelier was designed by Ian Thornton with an aim to highlight the shell material on the inside of the shade. Fitted underneath the open dome-like wrought iron ring in a bronze gold finish, the shells are laminated in place. The illumination generated by the integrated LED light source washes over the shells to make them gleam and accents the darker tones in the shells.



Shown in bronze gold / natural



Specifications

COLOR	Natural
BODY FINISH	Bronze Gold
WATTAGE	30W
DIMMER	Low Voltage Electronic
DIMENSIONS	32.25"W x 4"H
INTEGRATED LED MODULE	1 x LED/30W/120V LED
COUNTRY OF ORIGIN	Philippines

Technical Information

PRODUCT DIMENSIONS	Adjustable Height: 17.75" to 140"
LAMP COLOR	3000K
LUMENS/WATT	103.33
LUMINOUS FLUX	3100 lumens



CLICK TO VIEW PRODUCT

Notes: