

Lightology

lightology.com
866-954-4489
04-12-26

Project: _____

Company: _____

Location: _____ Fixture Type: _____

SPEC #: **RGL1276576**

Approved On: _____ Approved By: _____

Beam Wall Sconce By Ridgely Studio Works



Description

The Beam Wall Sconce pairs cold-rolled steel hardware with a sleek frosted acrylic rod for a minimal, modern aesthetic. The rod casts a warm, diffused glow of ambient LED light. Ideal for bathroom vanities or spaces requiring a shallow depth, this fixture is a perfect embodiment of style and function.

Specifications

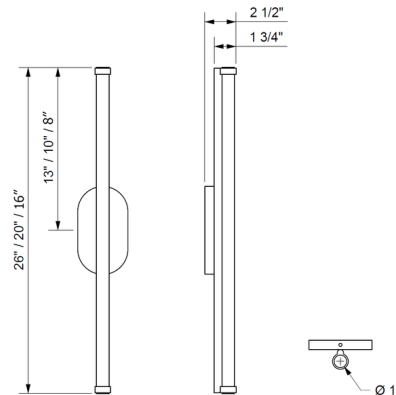
COLOR Frosted
BODY FINISH Satin Brass
WATTAGE 5W
DIMMER Low Voltage Electronic
DIMENSIONS 4"W x 20"H x 2.5"D
INTEGRATED LED MODULE 1 x LED/5W/120V LED
COUNTRY OF ORIGIN Canada

Technical Information

LAMP COLOR 3000K
LUMENS/WATT 102.80
LUMINOUS FLUX 514 lumens



Shown in satin brass / frosted



CLICK TO VIEW PRODUCT

Notes: