

# Lightology

lightology.com  
866-954-4489  
04-12-26

Project: \_\_\_\_\_

Company: \_\_\_\_\_

Location: \_\_\_\_\_ Fixture Type: \_\_\_\_\_

SPEC #: **RNH1276945**

Approved On: \_\_\_\_\_ Approved By: \_\_\_\_\_

## Agnes Pendant By Roll & Hill



### Description

The Agnes Chandelier offers a sleek shape composed of linear metal segments and glass tube diffusers to form a linear structure. The pendant's dramatic silhouette and geometric lines give it a futuristic aesthetic that is sure to attract attention. Available with angled-cut or straight-cut glass diffusers.



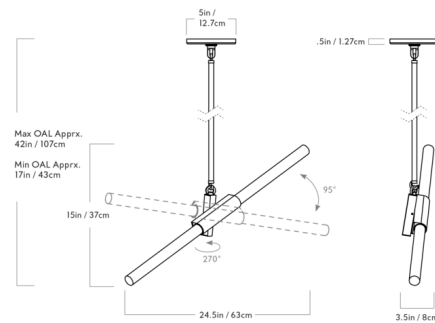
Shown in black / straight cut glass

### Specifications

COLOR . . . . . Straight Cut Glass  
BODY FINISH . . . . . Black  
WATTAGE . . . . . 6W  
DIMMER . . . . . Low Voltage Electronic  
DIMENSIONS . . . . . 24.5"W x 15"H x 3.5"D  
BULB INCLUDED . . . . . 2 x JCD/G9/3W/120V LED

### Technical Information

LAMP LIFE . . . . . 25000 hours  
COLOR RENDERING . . . . . 80 CRI  
LAMP COLOR . . . . . 2700K  
LUMENS/WATT . . . . . 220.00  
LUMINOUS FLUX . . . . . 660 lumens



CLICK TO VIEW PRODUCT

Notes: