

# Lightology

lightology.com  
866-954-4489  
07-07-26

Project: \_\_\_\_\_

Company: \_\_\_\_\_

Location: \_\_\_\_\_ Fixture Type: \_\_\_\_\_

SPEC #: **RNH1277105**

Approved On: \_\_\_\_\_ Approved By: \_\_\_\_\_

## Cross Candle Holder

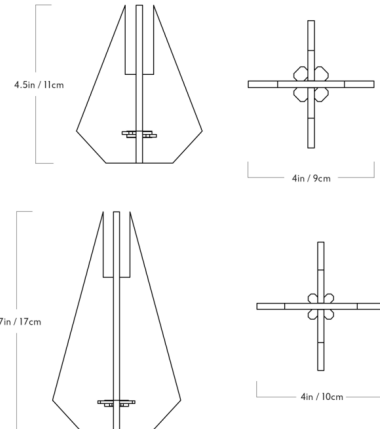
By Roll & Hill

### Description

The Cross Candle Holder is inspired by the idea of two flat surfaces intersecting to form a three dimensional object. The angled metal planes are joined together by interlocking leather keystones, which provide an understated decorative accent. Candles not included.



Shown in polished brass



### Specifications

COLOR	N/A
BODY FINISH	Polished Brass
WATTAGE	N/A
DIMMER	N/A
DIMENSIONS	4"W x 4.5"H
BULB	N/A



CLICK TO VIEW PRODUCT

Notes: