

Lightology

lightology.com
866-954-4489
07-07-26

Project: _____
 Company: _____
 Location: _____ Fixture Type: _____
 SPEC #: **RNH1277590**
 Approved On: _____ Approved By: _____

Apollo Stem Pendant

By Roll & Hill

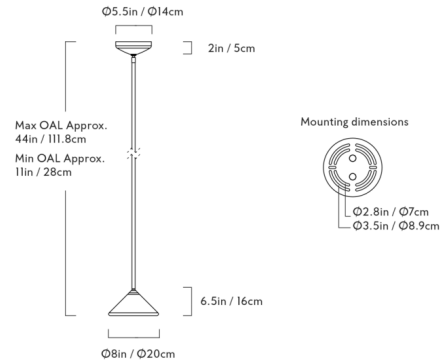


Description

While it may appear simple at first glance, the Apollo Pendant features subtle detailing that adds understated style to its minimalist silhouette. The conical glass shade houses an integrated LED light source to provide softly diffused illumination. Brushed brass accents above the shade provide a touch of shine, and the fixture's canopy is crafted from oak (in Oxidized finish with Matte Black and Brushed Brass or Whitewash finish with Matte Ivory) to add a rich natural texture for visual interest. Included 35 inch downrod is adjustable on site.



Shown in brushed brass / white



Specifications

COLOR White
 BODY FINISH Brushed Brass
 WATTAGE 10W
 DIMMER Low Voltage Electronic
 DIMENSIONS 8"W x 6.5"H
 INTEGRATED LED MODULE 1 x LED/10W/120V LED

Technical Information

LAMP LIFE 50000 hours
 COLOR RENDERING 90 CRI
 LAMP COLOR 2700K
 LUMENS/WATT 80.00
 LUMINOUS FLUX 800 lumens



CLICK TO VIEW PRODUCT

Notes: