

# Lightology

lightology.com  
866-954-4489  
04-24-26

Project: \_\_\_\_\_  
 Company: \_\_\_\_\_  
 Location: \_\_\_\_\_ Fixture Type: \_\_\_\_\_  
 SPEC #: **RNH1277725**  
 Approved On: \_\_\_\_\_ Approved By: \_\_\_\_\_

## Rue Sala Double Wall Sconce

By Roll & Hill



### Description

The Rue Sala Double Wall Sconce was inspired by the summers designer Jessica Helgerson spent at her ancestral home in Lyon, France. The home's elegant Louis XIV furniture and bronze statues inform the sconce's turned metal stem which is rich with decorative detail. The arm supports a rounded glass diffuser at each end for a look reminiscent of a candlelit torchiere sconce. Unlacquered Brass is a living finish, meaning it will darken and patina over time. Polishing will restore the sheen if desired.

### Specifications

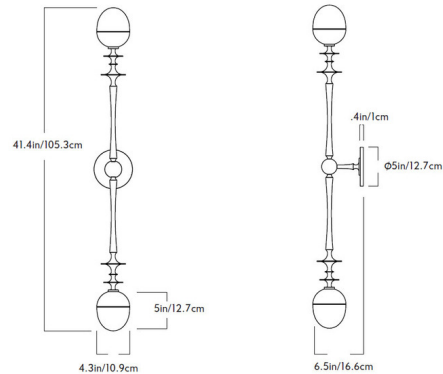
COLOR	Clear
BODY FINISH	Unlacquered Brass
WATTAGE	10W
DIMMER	Low Voltage Electronic
DIMENSIONS	5"W x 41.4"H x 6.5"D
INTEGRATED LED MODULE	2 x LED/5W/120V LED

### Technical Information

PRODUCT DIMENSIONS	Backplate: 5" diameter
LAMP LIFE	50000 hours
COLOR RENDERING	.90 CRI
LAMP COLOR	2700K
LUMENS/WATT	200.00
LUMINOUS FLUX	1000 lumens



Shown in unlacquered brass / clear



CLICK TO VIEW PRODUCT

Notes: