

Lightology

lightology.com
866-954-4489
07-06-26

Project: _____

Company: _____

Location: _____ Fixture Type: _____

SPEC #: **RNH1277745**

Approved On: _____ Approved By: _____

Delta Wall Sconce

By Roll & Hill

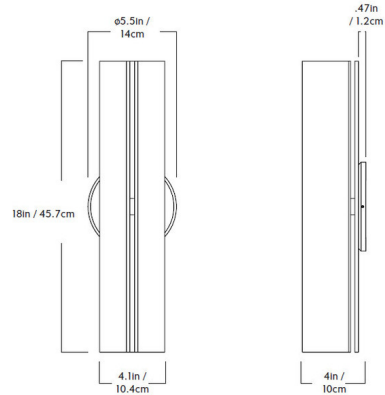


Description

The Delta Wall Sconce was originally designed for Inness, a Hudson Valley hotel and resort that takes its design cues from the surrounding environment. This rustic setting and traditional 18th-century lanterns inspired Delta's shape, which has been pared down to its essential elements for a distinctly modern look. Three metal panels act as louvers to soften light from the fixture's integrated LED light source to produce a pleasant glow.



Shown in matte black



Specifications

COLOR	N/A
BODY FINISH	Matte Black
WATTAGE	8W
DIMMER	Low Voltage Electronic
DIMENSIONS	5.5"W x 18"H x 4"D
INTEGRATED LED MODULE	1 x LED/8W/120V LED

Technical Information

PRODUCT DIMENSIONS	Backplate: 5.5"
LAMP COLOR	2700K
LUMENS/WATT	50.00
LUMINOUS FLUX	400 lumens



CLICK TO VIEW PRODUCT

Notes: