

Lightology

lightology.com
866-954-4489
04-03-26

Project: _____

Company: _____

Location: _____ Fixture Type: _____

SPEC #: **RNH1277779**

Approved On: _____ Approved By: _____

Monroe Square Dining Table

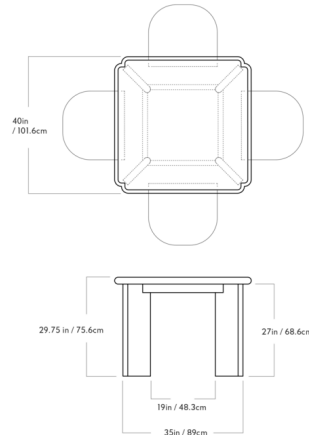
By Roll & Hill

Description

The Monroe Square Dining Table is based on the classic gothic architecture motif of the quatrefoil to create a four-sided table with no corners. The tabletop is set atop angled rectangular legs for a crisp, geometric form that showcases the table's solid hardwood construction.



Shown in black walnut



Specifications

COLOR N/A
BODY FINISH Black Walnut
WATTAGE N/A
DIMMER N/A
DIMENSIONS 40"W x 29.75"H x 40"D
BULB N/A



CLICK TO VIEW PRODUCT

Notes: