

Lightology

lightology.com
866-954-4489
04-25-26

Project: _____

Company: _____

Location: _____ Fixture Type: _____

SPEC #: **SBF1279217**

Approved On: _____ Approved By: _____

Addesion Color Select Pendant

By Schonbek Forever

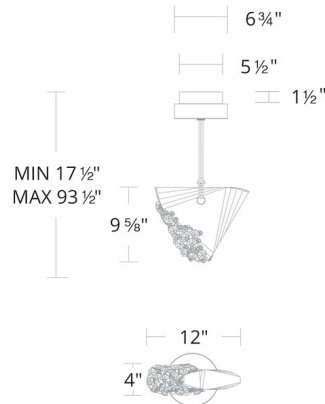


Description

The Addesion Color Select Pendant brings a sparkling simplicity to your interior space. The faceted triangle of Crystal has hand applied Radiance Crystals and Swarovski Pearls, casting warm shadows of light across your room from the integrated LED's in the canopy. Choose your cord color to compliment your decor. Can be mounted on a sloped ceiling. Driver concealed within the canopy. Note: Built in color temperature adjustability. Switch from 3000K/3500K/4000K.



Shown in red rope / radiance crystal



SJ-1012

Specifications

COLOR	Radiance Crystal
BODY FINISH	Red Rope
WATTAGE	38W
DIMMER	Low Voltage Electronic
DIMENSIONS	12"W x 9.625"H
INTEGRATED LED MODULE	1 x LED/38W/120-277V LED

Technical Information

PRODUCT DIMENSIONS	Min/Max Adjustable Overall Height: 17.5" - 93.5"
COLOR RENDERING	.90 CRI
LAMP COLOR	. CCT Select



CLICK TO VIEW PRODUCT

Notes: