

Lightology

lightology.com
866-954-4489
05-23-26

Project: _____

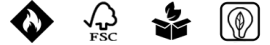
Company: _____

Location: _____ Fixture Type: _____

SPEC #: **MEN1280307**

Approved On: _____ Approved By: _____

Elizabeth Lounge Chair By Audo Copenhagen

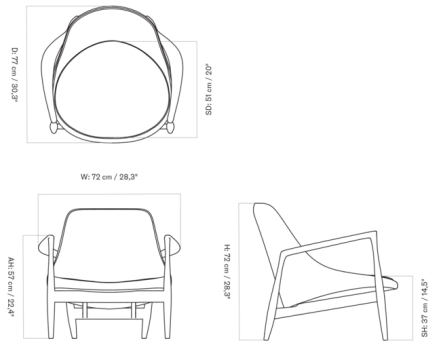


Description

Arguably Ib Kofod-Larsen's most iconic design, the Elizabeth Lounge Chair was originally known as the U-56 Chair. When Queen Elizabeth II of England purchased a pair of the chairs on a visit to Copenhagen, it became known around the world as the Elizabeth Chair. Elizabeth's gently curving armrests and organically shaped seat give the chair a comfortable feel and stylish appearance that make it an outstanding example of Danish Modern design.



Shown in natural oak / hallingdal 65 200



Specifications

COLOR	Hallingdal 65 200
BODY FINISH	Natural Oak
WATTAGE	N/A
DIMMER	N/A
DIMENSIONS	28.35"W x 28.35"H x 30.31"D
BULB	N/A



CLICK TO VIEW PRODUCT

Notes: