

Lightology

lightology.com
866-954-4489
06-29-26

Project: _____

Company: _____

Location: _____ Fixture Type: _____

SPEC #: **BOY1281445**

Approved On: _____ Approved By: _____

To-Ji Pendant By Boyd Lighting

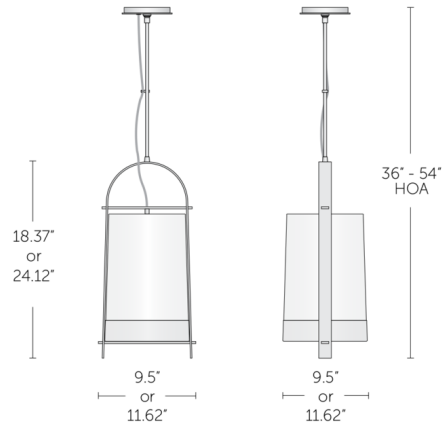


Description

The To-Ji Pendant features an elegant form reminiscent of a Chinese water bucket for a modern, global-inspired look. The slightly tapered fabric shade is supported by a gracefully arching brass frame. Overall hanging height specified to order: 36 inch minimum to 54 inch maximum.



Shown in satin brass / white



Specifications

COLOR White
 BODY FINISH Satin Brass
 WATTAGE 100W
 DIMMER Standard 120V
 DIMENSIONS 9.5\"/>

Technical Information

PRODUCT DIMENSIONS Canopy: 6\"/>



CLICK TO VIEW PRODUCT

Notes: