

Lightology

lightology.com
866-954-4489
07-06-26

Project: _____

Company: _____

Location: _____ Fixture Type: _____

SPEC #: **BOY1282245**

Approved On: _____ Approved By: _____

Branch Wall Sconce By Boyd Lighting



Description

The Branch Wall Sconce features a slim linear frame with a pair of arms that swing side to side to direct their light. Branch's integrated LED lights are shielded by a white silicone diffuser to reduce glare and gently cast light into the surrounding room. Note: Due to the fixture's narrow profile, it requires mud work for installation. A 3.5 inch mud plate is included.

Specifications

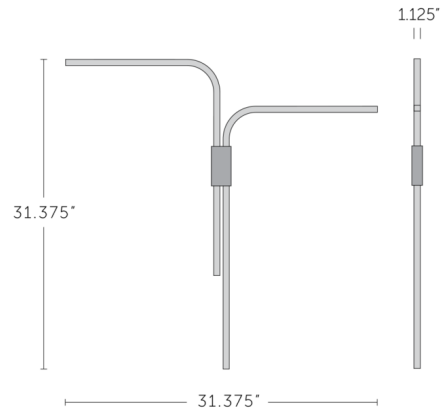
| | |
|-----------------------|----------------------------|
| COLOR | N/A |
| BODY FINISH | Antiqued Boyd Brass |
| WATTAGE | 14W |
| DIMMER | 0-10V |
| DIMENSIONS | 31.37"W x 31.37"H x 1.12"D |
| INTEGRATED LED MODULE | 2 x LED/7W/120V LED |

Technical Information

| | |
|-----------------|------------|
| COLOR RENDERING | 90 CRI |
| LAMP COLOR | 2700K |
| LUMENS/WATT | 121.43 |
| LUMINOUS FLUX | 850 lumens |



Shown in antiqued boyd brass



CLICK TO VIEW PRODUCT

Notes: