

Lightology

lightology.com
866-954-4489
07-04-26

Project: _____

Company: _____

Location: _____ Fixture Type: _____

SPEC #: **BOY1283313**

Approved On: _____ Approved By: _____

Pueblo Wall Sconce By Boyd Lighting

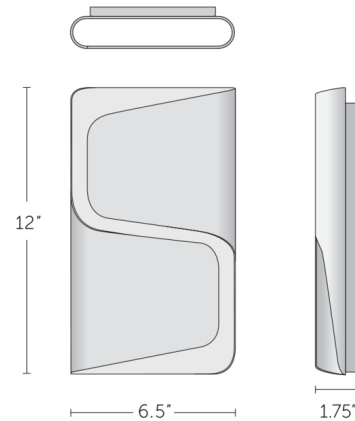


Description

The Pueblo Wall Sconce creates gentle, ambient light that peeks out from the openings of its folded metal form. The sconce's asymmetrical folds create visual intrigue and a striking modern style that will add an elegant accent to any wall.
Note: LED driver must be mounted remotely.



Shown in burnished bronze



Specifications

COLOR	N/A
BODY FINISH	Burnished Bronze
WATTAGE	4.6W
DIMMER	Not Dimmable
DIMENSIONS	6.5"W x 12"H x 1.75"D
INTEGRATED LED MODULE	1 x LED/4.6W/120-277V LED

Technical Information

PRODUCT DIMENSIONS	Backplate: 5"W x 11.5"H
COLOR RENDERING	90 CRI
LAMP COLOR	2700K
LUMENS/WATT	65.22
LUMINOUS FLUX	300 lumens



CLICK TO VIEW PRODUCT

Notes: