

Lightology

lightology.com
866-954-4489
06-03-26

Project: _____
 Company: _____
 Location: _____ Fixture Type: _____
 SPEC #: **KZC1285288**
 Approved On: _____ Approved By: _____

Thalia Hugger Fan By Kuzco Lighting



Description

The Thalia Hugger Fan brings a contemporary elegance to your interior space. Experience the future of comfort with smart fan technology, effortlessly controlled through the Smart by Bond app or the included handheld remote. Dimmable from 100-10%. 3 speeds and reverse switch. Smart fan technology when you download the Smart by Bond App. Handheld remote included.

Specifications

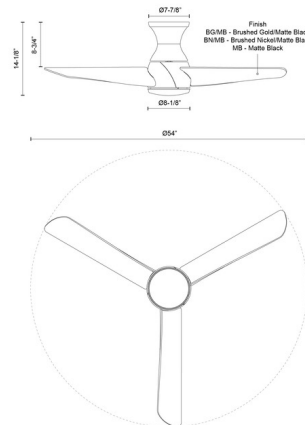
BLADE COLOR	Matte Black
BODY FINISH	Brushed Gold
WATTAGE	83W
DIMMER	N/A
DIMENSIONS	54"W x 14.12"H
INTEGRATED LED MODULE	1 x LED/83W/120V LED
COUNTRY OF ORIGIN	China

Technical Information

LAMP LIFE	50000 hours
COLOR RENDERING	90 CRI
LAMP COLOR	3000K
LUMENS/WATT	13.92
LUMINOUS FLUX	1155 lumens



Shown in brushed gold / matte black



CLICK TO VIEW PRODUCT

Notes: