

Lightology

lightology.com
866-954-4489
06-04-26

Project: _____

Company: _____

Location: _____ Fixture Type: _____

SPEC #: **SSA1286498**

Approved On: _____ Approved By: _____

Banded Orb Pendant

By Siemon & Salazar

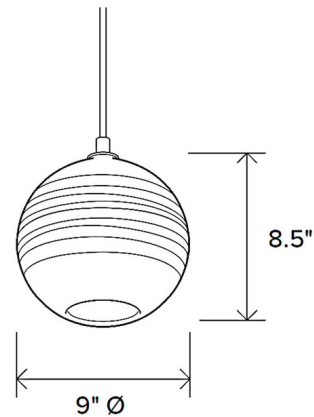


Description

The Banded Orb Pendant is a striking piece that draw inspiration from the rich hues and undulating topography of Southern California. Alternating layers of opaque and transparent colors are applied to clear glass. Overlapping to create new colors, which adds to the depth of the pieces. The intense color is complemented by its simple shape. Made in California and signed by Caleb and Carmen. Note: Each piece is hand blown and shaped in lead free crystal. No molds are used, and each glass shape is unique. Dimensions, weights, and color will vary slightly.



Shown in black / amber



Specifications

COLOR	Amber
BODY FINISH	Black
WATTAGE	4W
DIMMER	Standard 120V
DIMENSIONS	9"W x 8.5"H
BULB INCLUDED	1 x G25/Medium (E26)/4W/120V LED
COUNTRY OF ORIGIN	United States

Technical Information

PRODUCT DIMENSIONS	Adjustable Fabric Cord Length: 72"
LAMP COLOR	2700K



CLICK TO VIEW PRODUCT

Notes: