

Lightology

lightology.com
866-954-4489
04-04-26

Project: _____
Company: _____
Location: _____ Fixture Type: _____
SPEC #: **SSA1286552**
Approved On: _____ Approved By: _____

Cumulo Pendant By Siemon & Salazar



Description

The Cumulo Pendant is inspired by curves and voluptuous forms. Created from molten dollops of glass attached to a central core then blown out to diffuse the color and form bulbous cloud-like shapes. Made in California and signed by Caleb and Carmen. Note: Hand blown and shaped, no molds are used, and each glass shape is unique. Dimensions, weights, and color will vary slightly.

Specifications

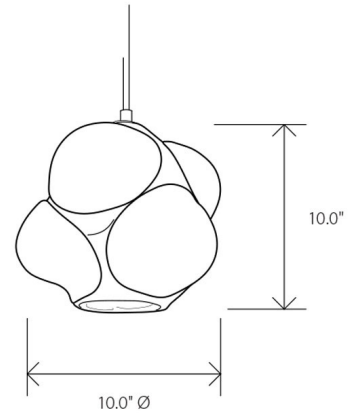
COLOR Grey
BODY FINISH Black
WATTAGE 4W
DIMMER Standard 120V
DIMENSIONS 10"W x 10"H
BULB INCLUDED 1x G25/Medium (E26)/4W/120V LED
COUNTRY OF ORIGIN United States

Technical Information

PRODUCT DIMENSIONS Adjustable Fabric Cord Length: 72"
COLOR RENDERING 90 CRI
LAMP COLOR 2700K
LUMENS/WATT 87.50
LUMINOUS FLUX 350 lumens



Shown in black / grey



CLICK TO VIEW PRODUCT

Notes: