

Lightology

lightology.com
866-954-4489
06-29-26

Project: _____

Company: _____

Location: _____ Fixture Type: _____

SPEC #: **CVL1287531**

Approved On: _____ Approved By: _____

Strate Score Wall Sconce

By CVL Luminaires



Description

The Strate Score Wall Sconce features a grouping of rectangular brass slats linked by an illuminated linear frame. Strate's large size and modern geometric aesthetic give it a sculptural expression that will anchor any space's decor as an eye-catching centerpiece. Includes 4.7 inch W wall plate to cover standard US junction box (not pictured).

Specifications

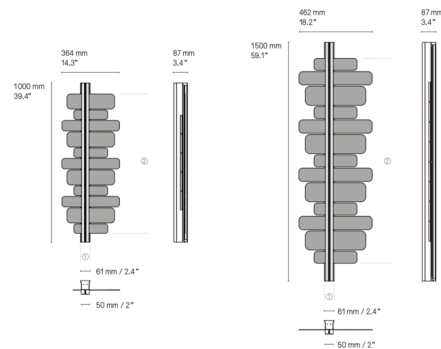
COLOR Satin Nickel
BODY FINISH Satin Graphite
WATTAGE 80W
DIMMER Low Voltage Electronic
DIMENSIONS 18.2"W x 59.1"H x 3.4"D
INTEGRATED LED MODULE 1 x LED/80W/24V LED
COUNTRY OF ORIGIN France

Technical Information

LAMP COLOR 2700K
LUMENS/WATT 76.25
LUMINOUS FLUX 6100 lumens



Shown in satin graphite / satin nickel



CLICK TO VIEW PRODUCT

Notes: