

Lightology

lightology.com
866-954-4489
06-04-26

Project: _____

Company: _____

Location: _____ Fixture Type: _____

SPEC #: **CVL1287544**

Approved On: _____ Approved By: _____

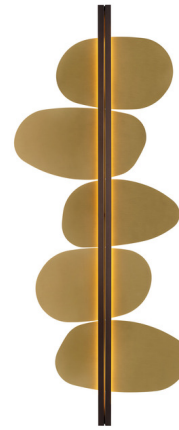
Strate Stone Wall Sconce

By CVL Luminaires

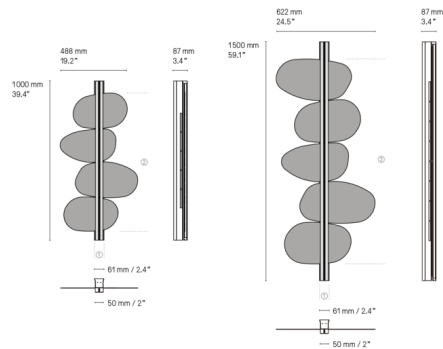


Description

The Strate Stone Wall Sconce features a grouping of organically shaped brass plates linked by an illuminated linear frame. Strate's large size and modern geometric aesthetic give it a sculptural expression that will anchor any space's decor as an eye-catching centerpiece. Includes 4.7 inch W wall plate to cover standard US junction box (not pictured). May be mounted horizontally or vertically.



Shown in satin graphite / satin brass



Specifications

COLOR Satin Brass
 BODY FINISH Satin Graphite
 WATTAGE 80W
 DIMMER Low Voltage Electronic
 DIMENSIONS 24.5"W x 59.1"H x 3.4"D
 INTEGRATED LED MODULE 1 x LED/80W/24V LED
 COUNTRY OF ORIGIN France

Technical Information

LAMP COLOR 2700K
 LUMENS/WATT 76.25
 LUMINOUS FLUX 6100 lumens



CLICK TO VIEW PRODUCT

Notes: