

Lightology

lightology.com
866-954-4489
06-09-26

Project: _____
 Company: _____
 Location: _____ Fixture Type: _____
 SPEC #: **EDG1287591**
 Approved On: _____ Approved By: _____

H-Type Atlas TruColor™ RGBTW 120V Track Head

By PureEdge Lighting



Description

The Atlas TruColor RGBTW is a cutting-edge 120V Halo track compatible luminaire designed to cater to both retail and residential environments with high ceilings. From dynamic color control to seamless integration with WiFi, it's the perfect choice for enhancing any setting. Die-cast aluminum with baffled front cover for glare control. 350 degree horizontal and 90 degree vertical aiming. Integral WiFi enabled WiZ Pro smart driver. The integral Wi-Fi-enabled WiZ Pro Driver offers seamless connectivity and control. The comprehensive suite of features includes color temperature selection, custom color mixing, dimming, scene creation, grouping, zoning, scheduling, and personalized circadian rhythm settings. With the easy installation and intuitive interface, you can create a tailored lighting experience for your space effortlessly. The Trucolor RGB and Tunable White light engine Pure Smart TruColor technology uses five channels of tunable LEDs, composed of RGBTW red, blue, green, and Tunable White (1500K-6500K). With our precision-engineered, proprietary color mixing, customers have access to the warm glow of the sunset (1500K-2400K golden hour) to the pure white light of the mid-day sun (5700K) and everything in between. TruColor RGBTW is optimized for control with the WiZ Pro WiFi based smart control system. Note: Dimmers and controls sold separately.

Specifications

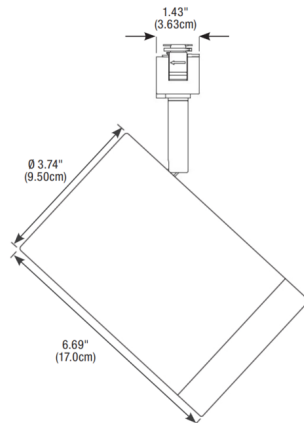
COLOR	N/A
BODY FINISH	Cool White
WATTAGE	26W
DIMMER	N/A
DIMENSIONS	3.74"W x 6.69"H
INTEGRATED LED MODULE	1 x LED/26W/120V LED

Technical Information

LAMP LIFE	50000 hours
BEAM ANGLE	20°
COLOR RENDERING	93 CRI
LAMP COLOR	RGB+White
LUMENS/WATT	53.00
LUMINOUS FLUX	1378 lumens



Shown in cool white



CLICK TO VIEW PRODUCT

Notes: