

Lightology

lightology.com
866-954-4489
05-24-26

Project: _____

Company: _____

Location: _____ Fixture Type: _____

SPEC #: **ART1287634**

Approved On: _____ Approved By: _____

Talo Wall Light

By Artemide



Description

Elevate your interior walls with the Talo Wall Light, a beacon of modern design and functional illumination. This sleek fixture, part of the renowned Talo collection, delivers sophisticated up-and-down light, perfect for creating dynamic visual interest and enhancing ambient brightness. The Talo Wall Light showcases a meticulously crafted painted aluminum body, framed by refined die-cast aluminum end caps, emphasizing its robust construction and minimalist aesthetic. Its design integrates seamlessly against any rigid wall surface, offering a clean, architectural presence. Equipped with both upper and lower diffusers made from high-quality transparent polycarbonate, the Talo casts light both upwards and downwards, creating a beautiful wash of illumination that highlights wall textures and adds depth to your space. This dual light emission provides a soft, inviting glow without sacrificing brightness. Customers frequently seek wall lights that offer architectural appeal and effective ambient lighting, and the Talo Wall Light excels in both, making it an excellent choice for hallways, living rooms, bedrooms, or as an accent in contemporary commercial settings.

Specifications

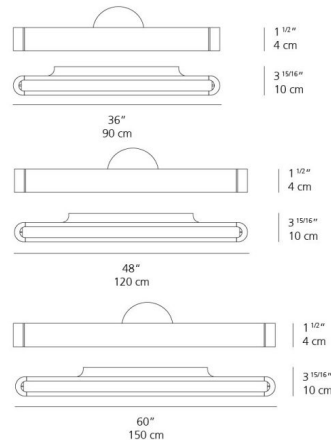
COLOR N/A
 BODY FINISH Matte Black
 WATTAGE 38.9W
 DIMMER Low Voltage Electronic
 DIMENSIONS 36"W x 1.5"H x 3.93"D
 INTEGRATED LED MODULE 1 x LED/38.9W/120V LED
 COUNTRY OF ORIGIN Italy

Technical Information

COLOR RENDERING 80 CRI
 LAMP COLOR 3000K
 LUMENS/WATT 85.84
 LUMINOUS FLUX 3339 lumens



Shown in matte black



CLICK TO VIEW PRODUCT

Notes: