

Lightology

lightology.com
866-954-4489
07-02-26

Project: _____

Company: _____

Location: _____ Fixture Type: _____

SPEC #: **DAI1287784**

Approved On: _____ Approved By: _____

Nadine Dual-Sided Wall Sconce By Dainolite



Description

For a classic, unassuming design, choose the Nadine Dual-Sided Wall Sconce. This up down wall sconce features clear glass shades to complement the metal base. Install this light in the bedroom, hallway, or entryway to bring warmth to the space.

Specifications

COLOR Clear
BODY FINISH Aged Brass
WATTAGE 20W
DIMMER Low Voltage Electronic
DIMENSIONS 5.75"W x 11.75"H x 4.75"D
INTEGRATED LED MODULE 2 x LED/10W/120V LED
COUNTRY OF ORIGIN China

Technical Information

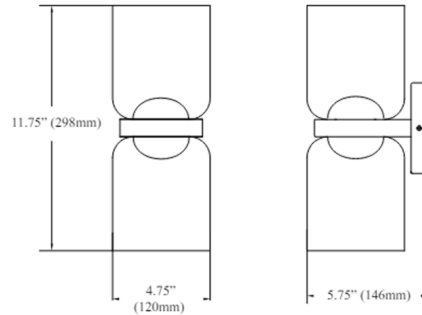
LAMP LIFE 30000 hours
COLOR RENDERING 90 CRI
LAMP COLOR 3000K
LUMENS/WATT 69.00
LUMINOUS FLUX 690 lumens



Shown in aged brass / clear

Front Vie/Vue de Face

Side View/Vue de Côté



CLICK TO VIEW PRODUCT

Notes: