

Lightology

lightology.com
866-954-4489
04-10-26

Project: _____

Company: _____

Location: _____ Fixture Type: _____

SPEC #: **INV1291592**

Approved On: _____ Approved By: _____

Lake Placid Stem Hung Pendant By Innovations Lighting

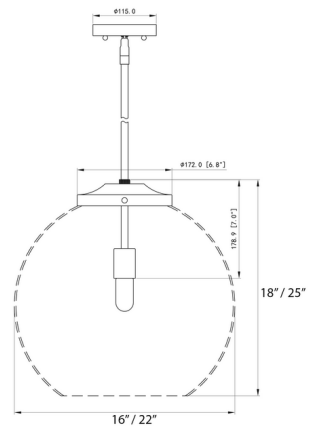


Description

The Lake Placid Stem Hung Pendant is versatile and showcases the popular orb wire cage design. With various sizes you can make this fixture your own. NOTE: This is a stem hung pendant and includes 1-6 and 2-12 inch (1/2 diameter) stems.



Shown in satin nickel / matte black



Specifications

COLOR	Matte Black
BODY FINISH	Satin Nickel
WATTAGE	17W
DIMMER	Standard 120V
DIMENSIONS	16"W x 18"H
BULB NOT INCLUDED	1 x Edison ST-Shape/Medium (E26)/17W/120V LED
COUNTRY OF ORIGIN	China

Technical Information

PRODUCT DIMENSIONS Downrods Included: (1) 6" and (2) 12" Stems



CLICK TO VIEW PRODUCT

Notes: