

Lightology

lightology.com
866-954-4489
04-25-26

Project: _____

Company: _____

Location: _____ Fixture Type: _____

SPEC #: **ZLT1297981**

Approved On: _____ Approved By: _____

Leland Outdoor Round Pole Light By Z-Lite



Description

The Leland Outdoor Color-Select Round Pole Light adds a minimalist charm to your exterior space. The open, teardrop case design casts warm shadows of light across your area. Available with Short or Tall poles. Note: Built in color temperature adjustability. Switch from 2700K/3000K/3500K/4000K/5000K.

Specifications

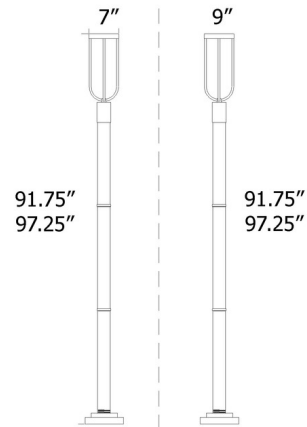
COLOR N/A
BODY FINISH Black
WATTAGE 12W
DIMMER Low Voltage Electronic
DIMENSIONS 7"W x 91.75"H
INTEGRATED LED MODULE 1 x LED/12W/120V LED
COUNTRY OF ORIGIN China

Technical Information

COLOR RENDERING 90 CRI
LAMP COLOR CCT Select
LUMENS/WATT 50.00
LUMINOUS FLUX 600 lumens



Shown in black



CLICK TO VIEW PRODUCT

Notes: