

Lightology

lightology.com
866-954-4489
04-22-26

Project: _____

Company: _____

Location: _____ Fixture Type: _____

SPEC #: **ATP1298761**

Approved On: _____ Approved By: _____

Model 2065 Wall Sconce

By Astep

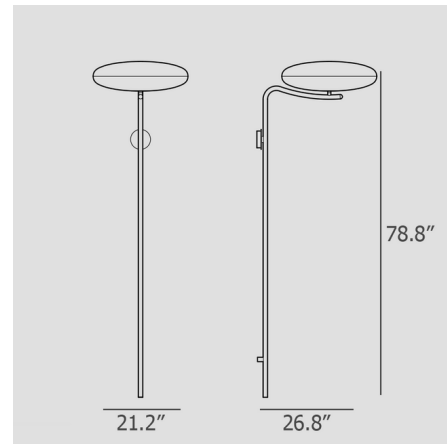


Description

The Model 2065 Wall Sconce is made of a pair of methacrylate saucer diffusers joined together into a rounded form and supported by a sleek metal stem. This reissue of Gino Sarfatti's classic 1950 design makes use of Green Cast, a modern material similar to methacrylate that is 100% recycled and recyclable. The simplicity of the design and lightness of materials make Model 2065 a timeless accent that will complement contemporary and retro-inspired interiors alike.



Shown in black / white



Specifications

COLOR White
BODY FINISH Black
WATTAGE 22.5W
DIMMER Standard 120V
DIMENSIONS 21.18"W x 78.8"H x 26.77"D
BULB NOT INCLUDED 5 x B10/Candelabra (E12)/4.5W/120V LED



CLICK TO VIEW PRODUCT

Notes: