

Lightology

lightology.com
866-954-4489
04-01-26

Project: _____

Company: _____

Location: _____ Fixture Type: _____

SPEC #: **BOM1298874**

Approved On: _____ Approved By: _____

Flare Pendant

By Bomma



Description

The Flare Pendant combines the craftsmanship of traditional Czech glassmaking with modern LED technology to create an elegant and versatile fixture. The pendant's clear crystal rod houses a white glass spiral which is illuminated by the integrated LED to produce stunning lines of light. Multiple Flare Pendants can be used together to create an endless variety of configurations, allowing designers to create distinctive custom installations to suit any space. Includes mounting plate to cover standard US junction box.

Specifications

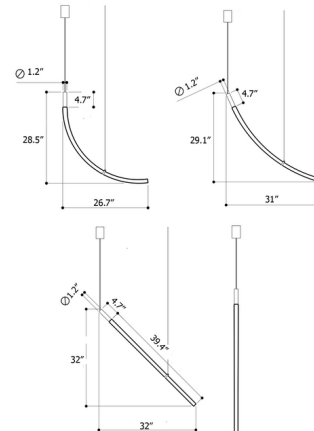
COLOR Spiral White
BODY FINISH Brushed Gold
WATTAGE 4W
DIMMER Low Voltage Electronic
DIMENSIONS 26.73"W x 28.5"H x 1.2"D
INTEGRATED LED MODULE 1 x LED/4W/120V LED

Technical Information

PRODUCT DIMENSIONS Cord Length: 98.4"
COLOR RENDERING 90 CRI
LAMP COLOR 2700K
LUMENS/WATT 100.00
LUMINOUS FLUX 400 lumens



Shown in brushed gold / spiral white



CLICK TO VIEW PRODUCT

Notes: