

Lightology

lightology.com
866-954-4489
07-06-26

Project: _____

Company: _____

Location: _____ Fixture Type: _____

SPEC #: **ICW1299943**

Approved On: _____ Approved By: _____

Ceramic Disc Outdoor Surface Mount By In Common With

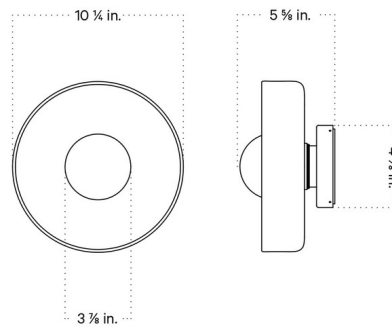


Description

The Ceramic Disc Outdoor Surface Mount features a hand slip-cast shade which is left raw or pigmented, surrounding a white glass orb. Suitable for outdoor use. May be mounted on wall or ceiling. Note: Due to the handmade nature of this product, dimensions may vary within one inch.



Shown in bone / white clay



Specifications

COLOR White Clay
BODY FINISH Bone
WATTAGE 5W
DIMMER Standard 120V
DIMENSIONS 10.25"W x 10.25"H x 5.625"D
BULB INCLUDED 1 x LED/GU24/5W/120V LED

Technical Information

PRODUCT DIMENSIONS Canopy: 4.88" diameter
COLOR RENDERING 90 CRI
LAMP COLOR 2700K
LUMENS/WATT 110.00
LUMINOUS FLUX 550 lumens



CLICK TO VIEW PRODUCT

Notes: