

Lightology

lightology.com
866-954-4489
04-23-26

Project: _____

Company: _____

Location: _____ Fixture Type: _____

SPEC #: **MAX1300410**

Approved On: _____ Approved By: _____

Armory Wall Light By Maxim Lighting

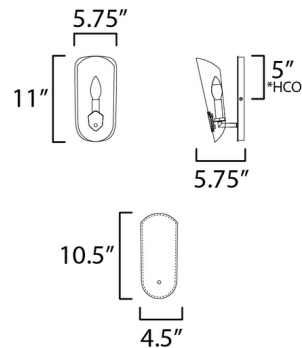


Description

A Coat of Arms in curved Clear glass shades bevel cut and shaped to resemble traditional shields radiates off slender tubular arms is the Armory Wall Light. The streamlined design takes on a transitional approach with imaginative details that carries through to the concept for the wall sconce.



Shown in natural aged brass / clear



Specifications

COLOR Clear
BODY FINISH Natural Aged Brass
WATTAGE 60W
DIMMER Standard 120V
DIMENSIONS 5.75"W x 11"H x 5.75"D
BULB NOT INCLUDED 1 x B10/Candelabra (E12)/60W/120V Incandescent
OTHER BULB OPTIONS 1 x B10/Candelabra (E12)/120V LED



CLICK TO VIEW PRODUCT

Notes: