

Lightology

lightology.com
866-954-4489
06-30-26

Project: _____

Company: _____

Location: _____ Fixture Type: _____

SPEC #: **MAXI300450**

Approved On: _____ Approved By: _____

Ruffles Chandelier

By Maxim Lighting



Description

Featuring ridged collars of Antique Brass on a matte Black frame, the design of the Ruffles Chandelier offers a transitional and stately fixture. The lighting is diffused through a rounded cylinder of Satin White glass that softly spreads illumination.

Specifications

COLOR Satin White
BODY FINISH Black / Antique Brass
WATTAGE 300W
DIMMER Standard 120V
DIMENSIONS 30.25"W x 10.25"H
BULB NOT INCLUDED 5 x A19/Medium (E26)/60W/120V Incandescent
OTHER BULB OPTIONS 5 x A19/Medium (E26)/120V LED

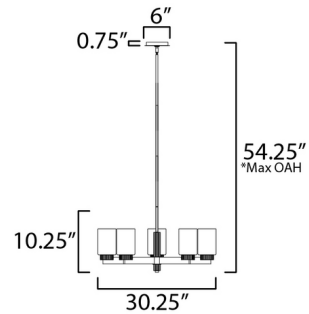
Technical Information

PRODUCT DIMENSIONS Downrods Included: 1+6", 3+12"

Notes:



Shown in black / antique brass / satin white



*max overall height



CLICK TO VIEW PRODUCT