

Lightology

lightology.com
866-954-4489
05-12-26

Project: _____
 Company: _____
 Location: _____ Fixture Type: _____
 SPEC #: **MAX1300485**
 Approved On: _____ Approved By: _____

Foundry Outdoor Wall Light By Maxim Lighting

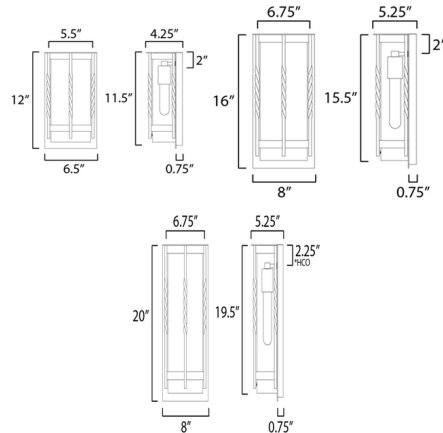


Description

Forged iron spindles twist along the frame of a half round Foundry Outdoor Wall Light. Transitional in design, they are finished in a Neutral Black outdoor rated powder coat and feature Clear Seeded glass.



Shown in black / clear



Specifications

COLOR	Clear
BODY FINISH	Black
WATTAGE	60W
DIMMER	Standard 120V
DIMENSIONS	6.5"W x 12"H x 4.25"D
BULB NOT INCLUDED	1 x T10/Medium (E26)/60W/120V Incandescent
OTHER BULB OPTIONS	1 x T10/Medium (E26)/120V LED



CLICK TO VIEW PRODUCT

Notes: