

Lightology

lightology.com
866-954-4489
04-21-26

Project: _____

Company: _____

Location: _____ Fixture Type: _____

SPEC #: **SCO1301220**

Approved On: _____ Approved By: _____

Lamina Wall Sconce

By Santa & Cole

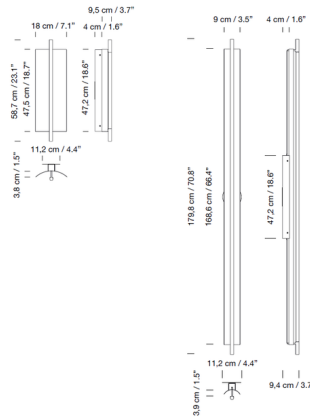


Description

The Lamina Wall Sconce is a light sculpture for your wall, combining a line of light and a thin curved metal sheet. The light passes through a polycarbonate diffuser and reflects off of the glossy white grey metal, creating a faint yet effective spread of indirect illumination. The 70.8 inch tall fixture is ADA compliant.



Shown in black / white grey



Specifications

COLOR White Grey
 BODY FINISH Black
 WATTAGE 11W
 DIMMER 0-10V
 DIMENSIONS 7.1"W x 23.1"H x 5.3"D
 INTEGRATED LED MODULE 1 x LED/11W/120-277V LED

Technical Information

LAMP LIFE 40000 hours
 COLOR RENDERING 90 CRI
 LAMP COLOR 2700K
 LUMENS/WATT 34.09
 LUMINOUS FLUX 375 lumens



CLICK TO VIEW PRODUCT

Notes: